

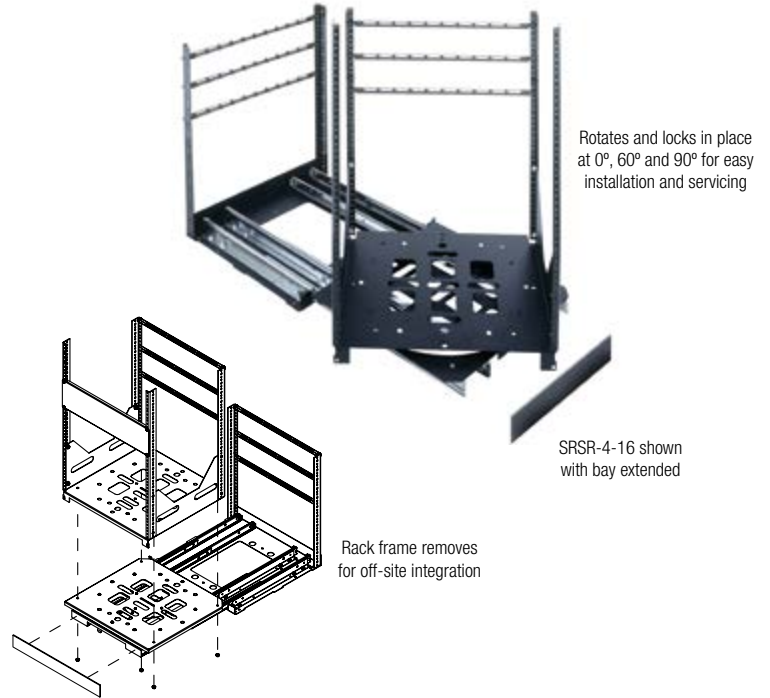
# SRSR Series

## sliding rail system

pulls out and rotates 90 degrees to provide convenient rear access to wiring and components

### features:

- Pulls out and rotates for equipment servicing
- Detachable rack frame allows for off-site integration
- Simplifies equipment installation in cabinet
- Shortens installation & service time
- Available from 12 space (21" ) to 30 space (52-1/2" )
- Available in 19" and 23" useable depths
- Rack locks in extended and rotated positions
- Integral cable management system provided
- Ball bearing slides allow smooth rollout
- Locks closed with included hardware
- Black brushed and anodized finish



### specifications:

EIA compliant 19" rotating slide-out equipment rack shall be Middle Atlantic Products model #SRSR-\_\_\_-\_\_\_(refer to chart). Overall dimensions of rack shall be 19.09" W x \_\_\_" H x \_\_\_" D with \_\_\_ useable rackspaces and a \_\_\_lb. weight capacity (refer to chart). Rack shall pull out (19" or 23", refer to chart) on integrated ball bearing slides and rotate 90° for equipment servicing. Detachable rack allows for off-site integration. Front mounted tab shall be used to rotate rack and lock into position. Front mounted lever shall lock rack in extended position. When rotating rack, locking detent shall allow rack to lock in place at 0°, 60° and 90°. Rackrail shall be 11-gauge steel with tapped 10-32 holes in universal EIA spacing. Rackrail shall be finished in black e-coat with marked rackspaces. SRSR rough-in pan shall be 14-gauge steel. Finish on SRSR assembly shall be a durable flat black powder coat. Trim/locking panel shall lock SRSR in closed position and be 11-gauge aluminum with a black brushed and anodized finish. SRSR shall be GREENGUARD Gold Certified. SRSR shall comply with the requirements of RoHS EU Directive 2002/95/EC. SRSR shall be manufactured by an ISO 9001 and ISO 14001 registered company. SRSR shall be warranted to be free from defects in material or workmanship under normal use and conditions for a period of 3 years.

Customizable specification clips available at [middleatlantic.com](http://middleatlantic.com)

EIA/TIA COMPLIANT



PRODUCT CERTIFIED FOR  
LOW CHEMICAL EMISSIONS  
UL.COM/GG  
UL 2818

### options:

- Optional full depth front and rear mount rackshelf shall be model # SH-SRSR
- Brush gasket shall require 19-5/8" rough-in opening width and shall be model # BG17
- Hide component mounting screws with black brushed and anodized trim strips, model # TA.

what **great systems** are built on.™

A brand of **legrand**

**Middle Atlantic Products**

[middleatlantic.com](http://middleatlantic.com) | [middleatlantic.ca](http://middleatlantic.ca)

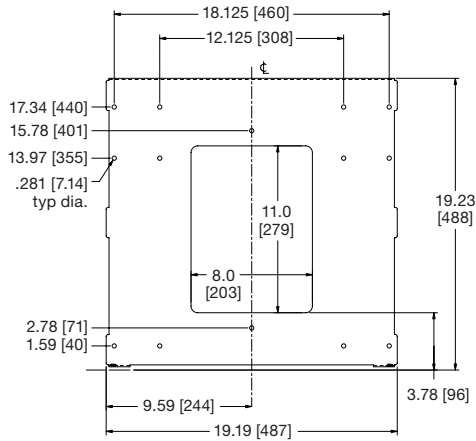
96-985 / rev k / 6-16-16

# SRSR Series

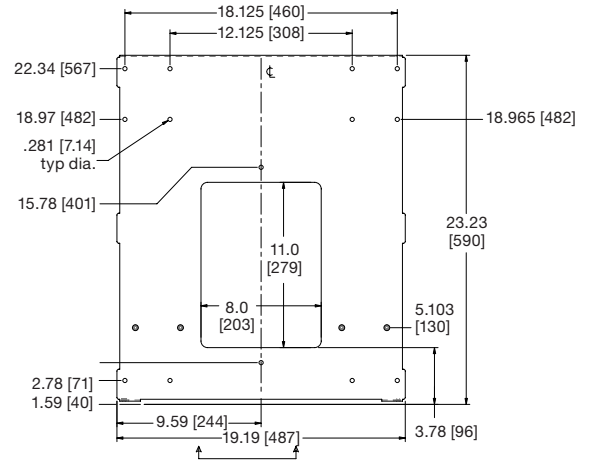
rough-in pan mounting point locations

all dimensions in inches unless otherwise noted [all dimensions in brackets are in millimeters]

SRSR-2-XX / SRSR-4-XX  
front view  
(only mounting holes shown)



SRSR-X-XX  
front view  
(only mounting holes shown)

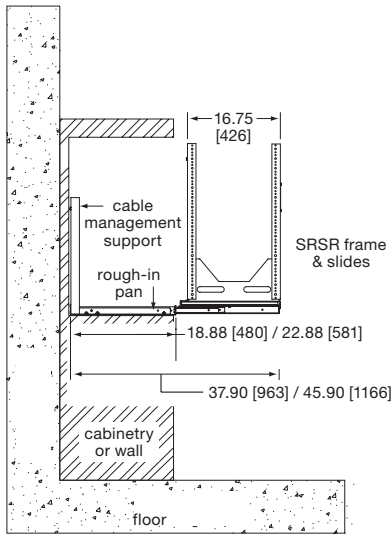


# SRSR Series

## basic dimensions

all dimensions in inches unless otherwise noted [all dimensions in brackets are in millimeters]

SRSR installed



Part #	Weight Capacity	# of Slides
SRSR-2-XX	125 lbs.	2
SRSR-4-XX	250 lbs.	4
SRSR-X-XX	200 lbs.	4

**Notes:**

- Some dimensions are given for both SRSR-2/4 and SRSR-X in the form (SRSR 2,4 / SRSR-X)
- We recommend leaving an additional 1.5" min. clearance at rear for cables.

Part #	Useable Height	Overall Height	Depth
SRSR-2-12 / SRSR-4-12	21 [533] (12 space)	24 [610]	19-1/4 [489]
SRSR-2-13 / SRSR-4-13	22-3/4 [578] (13 space)	25-3/4 [654]	19-1/4 [489]
SRSR-2-14 / SRSR-4-14	24-1/2 [622] (14 space)	27-1/2 [699]	19-1/4 [489]
SRSR-2-15 / SRSR-4-15	26-1/4 [667] (15 space)	29-1/4 [743]	19-1/4 [489]
SRSR-2-16 / SRSR-4-16	28 [711] (16 space)	31 [787]	19-1/4 [489]
SRSR-2-17 / SRSR-4-17	29-3/4 [756] (17 space)	32-3/4 [832]	19-1/4 [489]
SRSR-2-18 / SRSR-4-18	31-1/2 [800] (18 space)	34-1/2 [876]	19-1/4 [489]
SRSR-2-19 / SRSR-4-19	33-1/4 [846] (19 space)	36-1/4 [921]	19-1/4 [489]
SRSR-2-20 / SRSR-4-20	35 [889] (20 space)	38 [965]	19-1/4 [489]
SRSR-2-21 / SRSR-4-21	36-3/4 [933] (21 space)	39-3/4 [1010]	19-1/4 [489]
SRSR-2-22 / SRSR-4-22	38-1/2 [980] (22 space)	41-1/2 [1054]	19-1/4 [489]
SRSR-2-23 / SRSR-4-23	40-1/4 [1022] (23 space)	43-1/4 [1099]	19-1/4 [489]
SRSR-2-24 / SRSR-4-24	42 [1067] (24 space)	45 [1143]	19-1/4 [489]
SRSR-4-25	43-3/4 [1111] (25 space)	46-3/4 [1187]	19-1/4 [489]
SRSR-4-26	45-1/2 [1156] (26 space)	48-1/2 [1232]	19-1/4 [489]
SRSR-4-27	47-1/4 [1200] (27 space)	50-1/4 [1276]	19-1/4 [489]
SRSR-4-28	49 [1245] (28 space)	52 [1321]	19-1/4 [489]
SRSR-4-29	50-3/4 [1289] (29 space)	53-3/4 [1365]	19-1/4 [489]
SRSR-4-30	52-1/2 [1334] (30 space)	55-1/2 [1403]	19-1/4 [489]
SRSR-X-12	21 [533] (12 space)	24 [610]	23-1/4 [591]
SRSR-X-13	22-3/4 [577.9] (13 space)	25-3/4 [654]	23-1/4 [591]
SRSR-X-14	24-1/2 [622] (14 space)	27-1/2 [699]	23-1/4 [591]
SRSR-X-15	26-1/4 [667] (15 space)	29-1/4 [743]	23-1/4 [591]
SRSR-X-16	28 [711] (16 space)	31 [787]	23-1/4 [591]
SRSR-X-17	29-3/4 [756] (17 space)	32-3/4 [832]	23-1/4 [591]
SRSR-X-18	31-1/2 [800] (18 space)	34-1/2 [876]	23-1/4 [591]
SRSR-X-19	33-1/4 [846] (19 space)	36-1/4 [921]	23-1/4 [591]
SRSR-X-20	35 [889] (20 space)	38 [965]	23-1/4 [591]
SRSR-X-21	36-3/4 [933] (21 space)	39-3/4 [1010]	23-1/4 [591]
SRSR-X-22	38-1/2 [980] (22 space)	41-1/2 [1054]	23-1/4 [591]
SRSR-X-23	40-1/4 [1022] (23 space)	43-1/4 [1099]	23-1/4 [591]
SRSR-X-24	42 [1067] (24 space)	45 [1143]	23-1/4 [591]
SRSR-X-25	43-3/4 [1111] (25 space)	46-3/4 [1187]	23-1/4 [591]
SRSR-X-26	45-1/2 [1156] (26 space)	48-1/2 [1232]	23-1/4 [591]
SRSR-X-27	47-1/4 [1200] (27 space)	50-1/4 [1276]	23-1/4 [591]
SRSR-X-28	49 [1245] (28 space)	52 [1321]	23-1/4 [591]
SRSR-X-29	50-3/4 [1289] (29 space)	53-3/4 [1365]	23-1/4 [591]
SRSR-X-30	52-1/2 [1334] (30 space)	55-1/2 [1403]	23-1/4 [591]

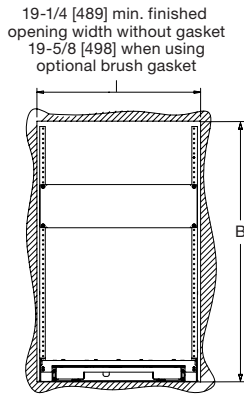
# SRSR Series

## basic dimensions

all dimensions in inches unless otherwise noted [all dimensions in brackets are in millimeters]

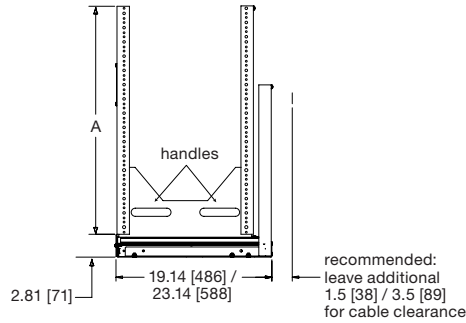
front view

closed

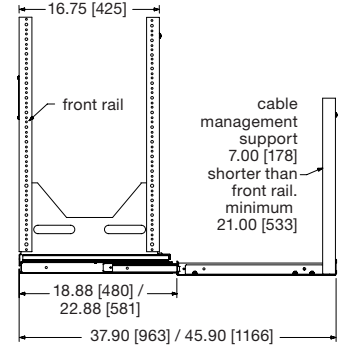


side view

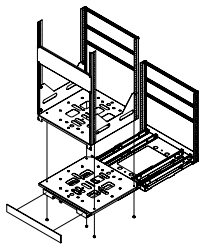
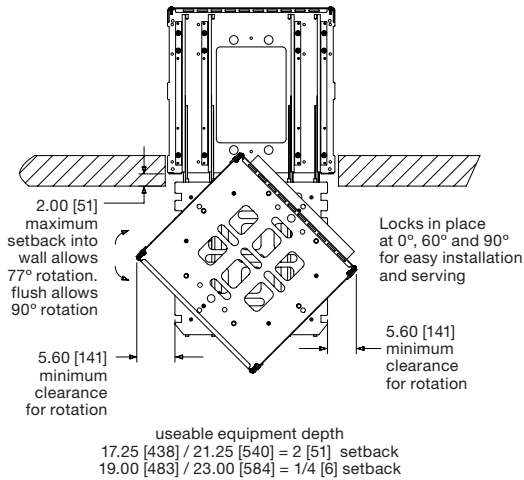
closed



fully extended



fully extended



rack frame removes for off-site integration

Note:  
Some dimensions are given for both SRSR-2/4 and SRSR-X in the form (SRSR 2,4 / SRSR-X)

Part #	A Useable Rackspaces	B Finished Opening Height
SRSR-2-12 / SRSR-4-12 / SRSR-X-12	12	24 [610]
SRSR-2-13 / SRSR-4-13 / SRSR-X-13	13	25-3/4 [654]
SRSR-2-14 / SRSR-4-14 / SRSR-X-14	14	27-1/2 [699]
SRSR-2-15 / SRSR-4-15 / SRSR-X-15	15	29-1/4 [743]
SRSR-2-16 / SRSR-4-16 / SRSR-X-16	16	31 [787]
SRSR-2-17 / SRSR-4-17 / SRSR-X-17	17	32-3/4 [832]
SRSR-2-18 / SRSR-4-18 / SRSR-X-18	18	34-1/2 [876]
SRSR-2-19 / SRSR-4-19 / SRSR-X-19	19	36-1/4 [921]
SRSR-2-20 / SRSR-4-20 / SRSR-X-20	20	38 [965]
SRSR-2-21 / SRSR-4-21 / SRSR-X-21	21	39-3/4 [1010]
SRSR-2-22 / SRSR-4-22 / SRSR-X-22	22	41-1/2 [1054]
SRSR-2-23 / SRSR-4-23 / SRSR-X-23	23	43-1/4 [1099]
SRSR-2-24 / SRSR-4-24 / SRSR-X-24	24	45 [1143]
SRSR-4-25 / SRSR-X-25	25	46-3/4 [1187]
SRSR-4-26 / SRSR-X-26	26	48-1/2 [1232]
SRSR-4-27 / SRSR-X-27	27	50-1/4 [1276]
SRSR-4-28 / SRSR-X-28	28	52 [1321]
SRSR-4-29 / SRSR-X-29	29	53-3/4 [1365]
SRSR-4-30 / SRSR-X-30	30	55-1/2 [1403]